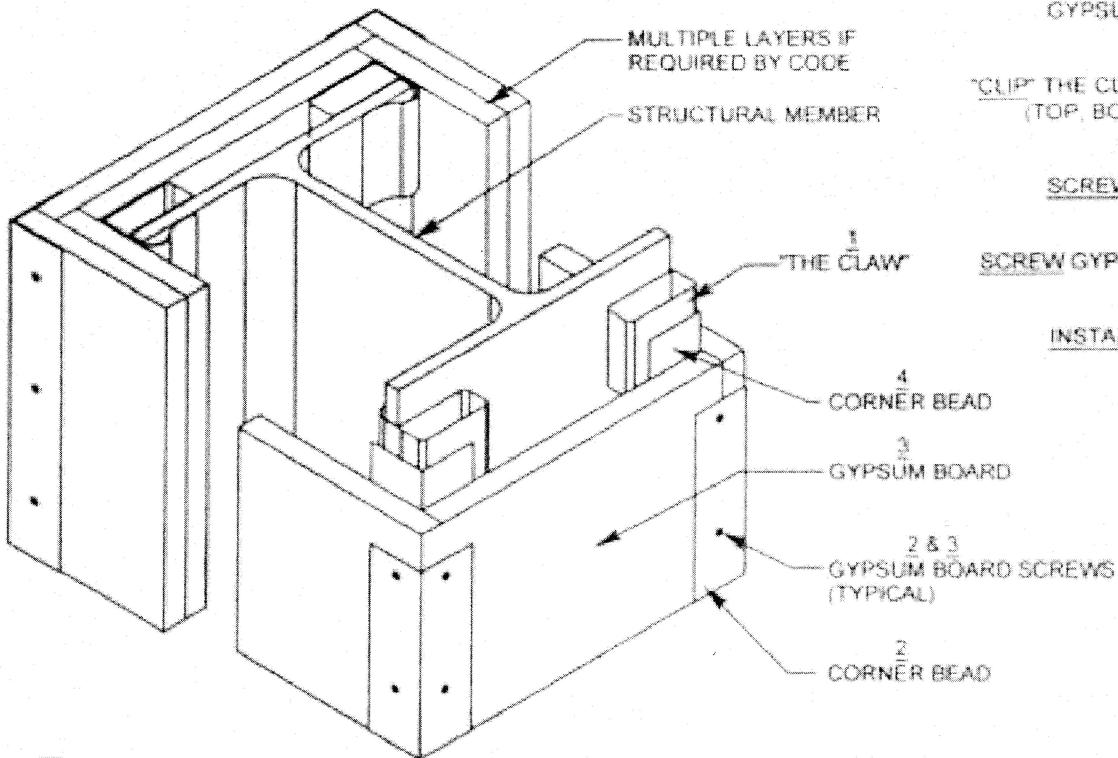


GYPSUM BOARD / CORNER BEAD USING "THE CLAW"



CODE REQUIREMENTS FOR GYPSUM BOARD INSTALLATION

1 "CLIP" THE CLAW TO STRUCTURAL MEMBER (TOP, BOTTOM, AND EVERY 4 FEET)

2 SCREW CORNER BEAD TO CLIP

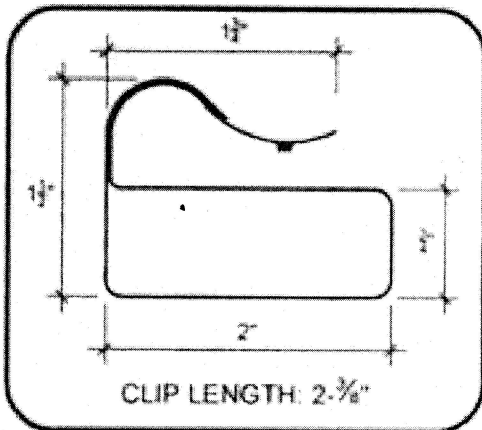
3 SCREW GYPSUM BOARD TO CORNER BEAD

4 INSTALL FINISH CORNER BEAD

1

COLUMN WRAP W/ BEAMCLIPS

SCALE: 3" = 1'-0"



FIRE RESISTANCE DIRECTORY GUIDE

RATING 1, 2, 3, AND 4 HOUR

PRODUCT: **THE CLAW**

SAMPLES:
Call 317-726-6350

WEB SITE:
www.clawintl.com

NOTES:
CUTS LABOR COST
MATERIAL COST
PRODUCTION TIME

PAGE:
1 of 3